

# SNER Electric Chain Hoists with Hook and Lug Suspensions and Motorized, Push and Geared Trolleys



SNER005L

Our SNER Series of electric chain hoists furnishes single-phase operation in a heavy-duty, low-headroom design. Available in hook mount or coupled with a trolley, it easily transports any load. Look to this model when high quality and convenience are important for the job.

## Features and Benefits

### Extreme Duty Motor

Higher horsepower and top duty ratings provide increased performance.

### Pull-Rotor Motor Brake

Extremely durable and reliable, this advanced design has no brake coil to fail.

### Unique Chain Guide

Provides quiet and smooth guiding of chain. Easily removed without disassembly of hoist. Heavy cast iron construction for improved wear.

### Load Sheave

Deep-groove pockets fully support the load chain, reduces vibration and chain wear and provides a true vertical lift.

### Long Life Friction Clutch

Protects hoist from damage and prevents overwinding.

### Heat Treated Helical and Spur Gears

Precision machined for long life. Oil bath lubrication results in a quiet, smooth, cool operation.

### Completely Sealed Body

Suitable for indoor, outdoor and harsh environments.

### Compact Aluminum Body

Die-cast body is lightweight and offers low headroom.

### Easy Maintenance Control Panel

Fast on-site access with hinged cover, single swing-out panel and simple layout of controls.

### Superior Quality Chain

Grade 80 nickel-plated load chain is heat treated for wear resistance and extended life.

### Forged Carbon Steel Hooks

Under excessive loads will open gradually and not fracture. Bottom hook swivels 360 degrees.

### Motorized Trolley Side Guide Rollers

Provide smooth trolley motion and reduced wear on wheels and beam.

### Motorized Trolley Drop Stops and Rubber Bumpers

Built-in security for the operator and added protection for the equipment and load.

## Standard Hoist/Trolley Specifications

### Capacity Range

1/4 Ton–3 Ton

### Reconnectable Voltage

115/230-1-60

### Control Voltage

110V

### Duty Cycle\*

Hoist—60 Min., Trolley—30 Min.

### Classification\*

ASME H4, ISO M5 or M4, FEM 2m or 1Am

### Ratings

Hoist/Trolley—IP55

Pendant—IP65

### Limit Switch

Prevents overwinding/overlifting  
Standard upper

### Chain Falls

Single fall through 2 Ton

### Standard Lengths

Lift—10'

Pendant Drop—4' less than lift

Power Supply—Hoist—15'

Power Supply—Motorized

Trolley—30'

(longer lengths available)

### Standard Pendants

Hoist—2 Button,

Hoist/Trolley—4 Button

Momentary contacts

### Chain Containers

Optional

Canvas, plastic or steel

### Geared Trolley Standard

#### Hand Chain Drop

2' less than lift

(longer drops available)

### Trolley Shafts

Standard shafts fit wide flange range

Longer shafts for wider beams

Spacers for easy adjustments

### Trolley Wheels

All steel

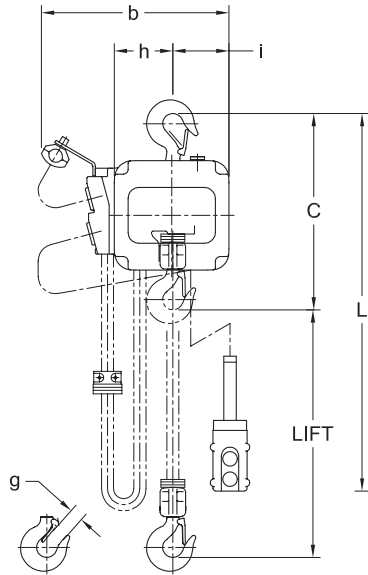
Shielded ball bearings

Fit flat or tapered beam flange

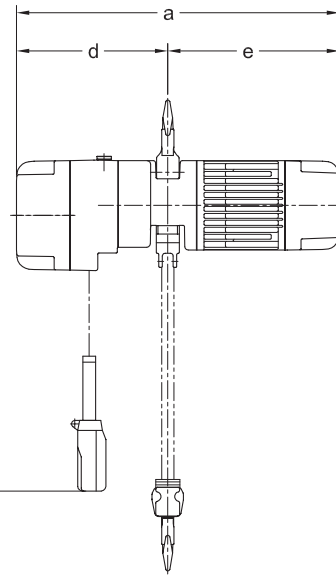
\*See page 59 for additional information.



SNER005L



SNER005L



**SINGLE SPEED—SPECIFICATIONS**

Cap. (Tons)	Product Code	Standard Lift (ft)	Push Button Cord L (ft)	Lifting Speed (ft/min)	Lifting Motor Single Phase 60 Hz			Load Chain Diameter (mm) x Chain Fall Lines	Net Weight (lbs)	Weight for Additional One Foot of Lift (lbs)
					Output (Hp)	Rated Current (amps)				
						@115V	@230V			
1/4	SNER003S	10	7.2	14	0.34	7.7	3.9	5.0 x 1	82	0.37
1/2	SNER005L			7				6.3 x 1		
1/2	SNER005S			15	0.6	16.9	8.5	6.3 x 1	104	0.57
1	SNER010L			7				8.0 x 1		
1	SNER010S			14	8.0 x 1	159	0.93			
2	SNER020L			7	1.2			23.9	12.0	10.0 x 1
3	SNER030C			8.2	3.5	10.0 x 2	207			3.1

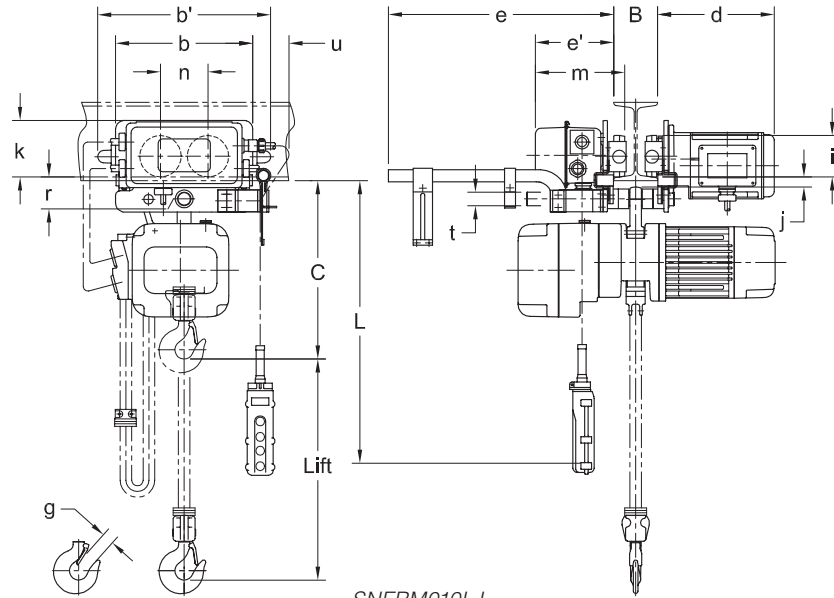
**SINGLE SPEED—DIMENSIONS**

Cap. (Tons)	Product Code	Headroom C (in)	a (in)	b (in)	d (in)	e (in)	g (in)	h (in)	i (in)
1/4	SNER003S	13.8	22.2	13.0	10.4	11.9	0.9	4.0	3.9
1/2	SNER005L	14.0	22.2	13.0	10.4	11.9	0.9	4.0	3.9
1/2	SNER005S	14.6	23.2	13.8	10.6	12.6	0.9	4.7	4.1
1	SNER010L	16.1	23.2	13.8	10.6	12.6	1.2	4.7	4.1
1	SNER010S	17.3	26.9	16.5	12.4	14.4	1.2	6.1	5.2
2	SNER020L	22.6	26.9	16.5	12.4	14.4	1.5	6.1	5.2
3	SNER030C	29.5	26.9	16.5	12.4	14.4	1.7	8.2	3.0

# SNER Electric Chain Hoists with Hook and Lug Suspensions and Motorized, Push and Geared Trolleys



SNERM005L



SNERM010L-L

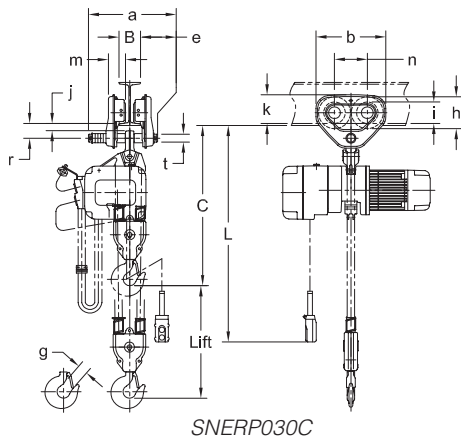
## SINGLE SPEED HOIST WITH SINGLE SPEED TROLLEY—SPECIFICATIONS

Cap. (Tons)	Product Code	Std. Lift (ft)	Push Button Cord L (ft)	Lifting Speed (ft/min)	Traversing Speed (ft/min)	Lifting Motor Single Phase 60 Hz			Traversing Motor Single Phase 60 Hz			Flange Width Adjustability B (in)		Min. Allow. Radius for curve (in)	Load Chain Dia. (mm) x Chain Fall Lines	Net Weight (lbs)	Weight for Additional One Foot of Lift (lbs)
						Output (Hp)	Rated Current (amps)		Output (Hp)	Rated Current (amps)		Standard	Optional				
							@ 115V	@ 230V		@ 115V	@ 230V						
1/4	SNERM003S-L/S	10	7.5	14	L = 40 S = 80	0.34	7.7	3.9	0.54	6.2	3.1	2.28 to 5.00	5.01 to 6.02 OR 6.03 to 12.00	31.5	5.0 x 1	168	0.37
1/2	SNERM005L-L/S			7											6.3 x 1	170	0.57
1/2	SNERM005S-L/S			15											6.3 x 1	190	0.57
1	SNERM010L-L/S			7		8.0 x 1	196	0.93									
1	SNERM010S-L/S			14		8.0 x 1	245	0.93									
2	SNERM020L-L/S			7		10.0 x 1	276	1.5									
3	SNERM030C-L/S			8.2		3.5	1.2	23.9							12.0	3.23 to 6.02	6.03 to 7.02 OR 7.03 to 12.00

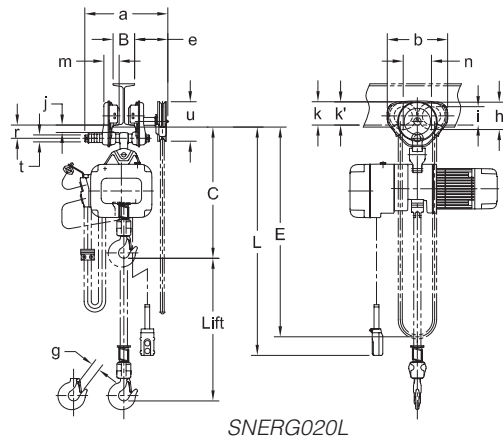
## SINGLE SPEED HOIST WITH SINGLE SPEED TROLLEY—DIMENSIONS

Cap. (Tons)	Product Code	Headroom C (in)	b (in)	b' (in)	d (in)	e (in)	e' (in)	g (in)	i (in)	j (in)	k (in)	m (in)	n (in)	r (in)	t (in)	u (in)
1/4	SNERM003S-L/S	14.6	12.4	15.6	10.6	20.3	7.0	0.9	3.74	0.9	5.1	8.0	4.3	2.0	1.22	3.2
1/2	SNERM005L-L/S	14.6	12.4	15.6	10.6	20.3	7.0	0.9	3.74	0.9	5.1	8.0	4.3	2.0	1.22	3.2
1/2	SNERM005S-L/S	15.4	12.4	15.6	10.6	20.3	7.0	0.9	3.74	0.9	5.1	8.0	4.3	2.0	1.22	3.2
1	SNERM010L-L/S	16.5	12.4	15.6	10.6	20.3	7.0	1.2	3.74	0.9	5.1	8.0	4.3	2.0	1.22	3.2
1	SNERM010S-L/S	17.7	12.4	15.6	10.6	20.3	7.0	1.2	3.74	0.9	5.1	8.0	4.3	2.0	1.22	3.2
2	SNERM020L-L/S	22.2	12.8	16.4	10.7	20.5	7.2	1.5	4.33	1.1	4.9	8.3	4.6	2.4	1.42	3.0
3	SNERM030C-L/S	28.9	13.4	17.4	10.8	20.5	7.3	1.7	4.92	1.1	5.2	8.5	5.2	2.7	1.69	2.7

## HARRINGTON ELECTRIC CHAIN HOISTS



SNERP030C



SNERG020L

### SINGLE SPEED HOIST WITH PUSH OR GEARED TROLLEY—SPECIFICATIONS

Cap. (Tons)	Product Code	Std Lift (ft)	Push Button Cord L (ft)	Lifting Speed (ft/min)	Lifting Motor Single Phase 60 Hz			Flange Width Adjustability B (in)		Min.* Allow. Radius for curve (in)	Load Chain Dia. (mm) x Chain Fall Lines	Net Weight (lbs)	Weight for Additional One Foot of Lift (lbs)			
					Output (Hp)	Rated Current (amps)		Standard	Optional							
						@115V	@230V									
1/4	SNERP(SNERG)003S	10	7.5	14	0.34	7.7	3.9	2.28 to 4.00 (2.28 to 5.00)	4.01 to 8.00 (5.01 to 8.00) OR 8.01 to 12.00	43.3 (51.2)	5.0 x 1	93 (110)	0.37 (1.0)			
1/2	SNERP(SNERG)005L			7							0.6	16.9	8.5	2.28 to 5.00	5.01 to 8.00 OR 8.01 to 12.00	51.2
1/2	SNERP(SNERG)005S			15	6.3 x 1	115 (135)	0.57 (1.2)									
1	SNERP(SNERG)010L			7	1.2	23.9	12.0	3.23 to 6.02	6.03 to 12.00	59.1	8.0 x 1	130 (141)	0.93 (1.5)			
1	SNERP(SNERG)010S			14							8.0 x 1	179 (190)	0.93 (1.5)			
2	SNERP(SNERG)020L			7	8.2	3.5				66.9	10.0 x 1	209 (220)	1.5 (2.2)			
3	SNERP(SNERG)030C										10.0 x 2	251 (262)	3.1 (3.7)			

Figures in parentheses are data for geared trolley.

\*Minimum flange width for curved beam: 1 Ton Push and 1/4 to 1 Ton Geared = 2.87 in.; 3 Ton Push or Geared = 3.50 in.

### SINGLE SPEED HOIST WITH PUSH TROLLEY—DIMENSIONS

Cap. (Tons)	Product Code	Headroom C (in)	a (in)	b (in)	e (in)	g (in)	h (in)	i (in)	j (in)	k (in)	m (in)	n (in)	r (in)	t (in)
1/4	SNERP003S	15.4	8.0	7.2	1.8	0.9	3.2	2.36	0.7	3.0	1.9	3.3	1.5	0.87
1/2	SNERP005L	15.4	8.0	7.2	1.8	0.9	3.2	2.36	0.7	3.0	1.9	3.3	1.5	0.87
1/2	SNERP005S	16.1	8.0	7.2	1.8	0.9	3.2	2.36	0.7	3.0	1.9	3.3	1.5	0.87
1	SNERP010L	18.1	9.8	9.3	2.2	1.2	4.2	2.80	1.1	3.7	2.2	4.4	2.0	0.98
1	SNERP010S	19.5	9.8	9.3	2.2	1.2	4.2	2.80	1.1	3.7	2.2	4.4	2.0	0.98
2	SNERP020L	24.6	11.8	11.0	2.7	1.5	5.0	3.35	1.3	4.4	2.8	5.2	2.4	1.26
3	SNERP030C	29.3	12.6	12.8	3.1	1.7	5.8	3.94	1.4	5.3	3.1	6.0	2.7	1.42

### SINGLE SPEED HOIST WITH GEARED TROLLEY—DIMENSIONS

Cap. (Tons)	Product Code	Headroom C (in)	E (ft)	a (in)	b (in)	e (in)	g (in)	h (in)	i (in)	j (in)	k (in)	k' (in)	m (in)	n (in)	r (in)	t (in)	u (in)
1/4	SNERG003S	16.1	10.5	13.6	9.3	6.0	0.9	4.2	2.80	1.1	3.7	4.2	2.2	4.4	2.0	0.98	7.2
1/2	SNERG005L	16.1	10.5	13.6	9.3	6.0	0.9	4.2	2.80	1.1	3.7	4.2	2.2	4.4	2.0	0.98	7.2
1/2	SNERG005S	16.9	10.5	13.6	9.3	6.0	0.9	4.2	2.80	1.1	3.7	4.2	2.2	4.4	2.0	0.98	7.2
1	SNERG010L	18.1	10.5	13.6	9.3	6.0	1.2	4.2	2.80	1.1	3.7	4.2	2.2	4.4	2.0	0.98	7.2
1	SNERG010S	19.5	10.5	13.6	9.3	6.0	1.2	4.2	2.80	1.1	3.7	4.2	2.2	4.4	2.0	0.98	7.2
2	SNERG020L	24.6	10.5	15.2	11.0	6.1	1.5	5.0	3.35	1.3	4.4	4.3	2.7	5.2	2.4	1.26	7.2
3	SNERG030C	29.3	11.0	15.7	12.8	6.2	1.7	5.8	3.94	1.4	5.3	4.5	3.1	6.0	2.7	1.42	7.2